

Cooling Towers

Theory of Cooling towers and types to be given briefly.

Diagram (Draw to proportionate scale)

Mechanical Induced Draft Counterflow Tower

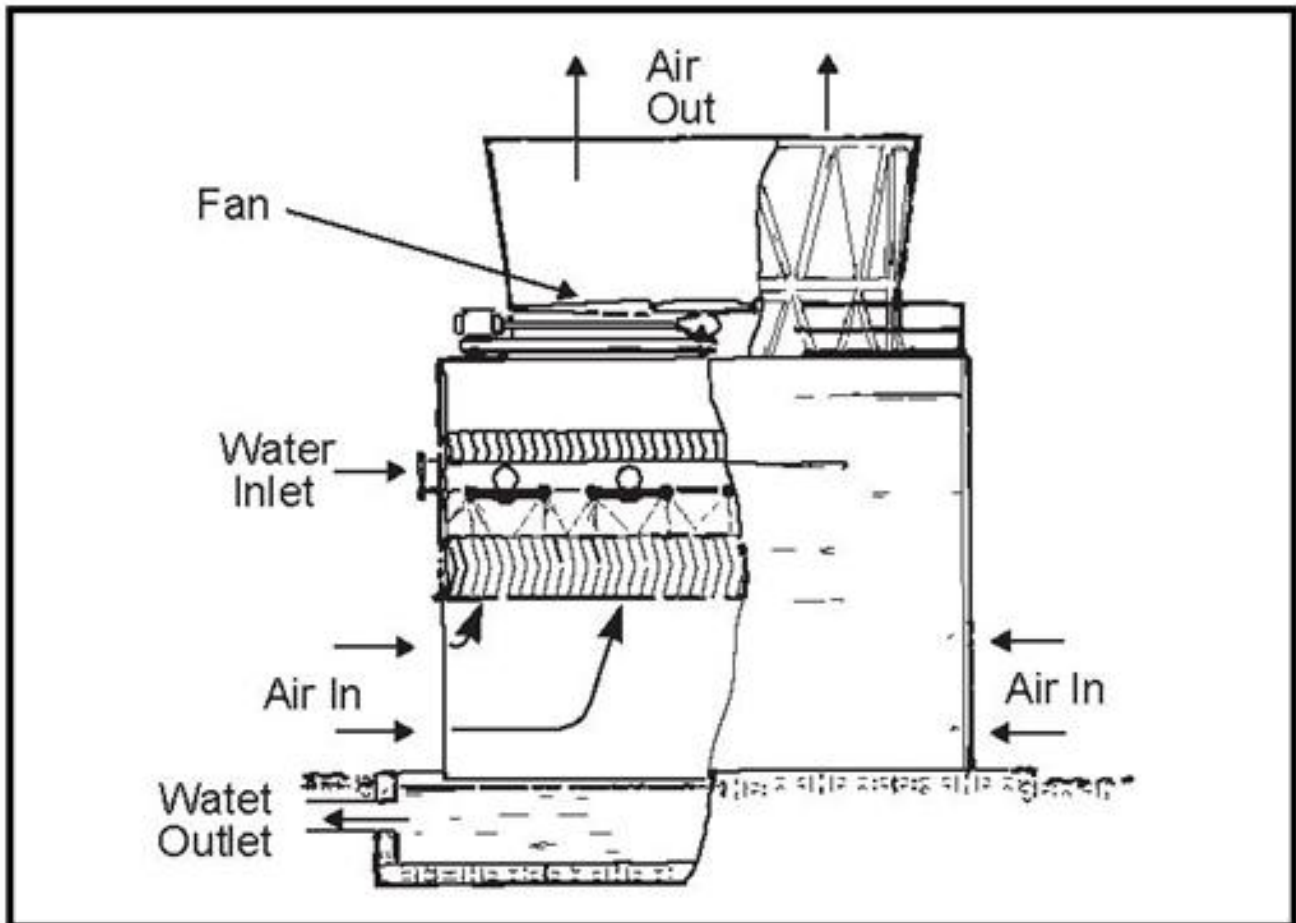


Plate and Frame Filter Press

Include theory of Filter Press and the principles.

